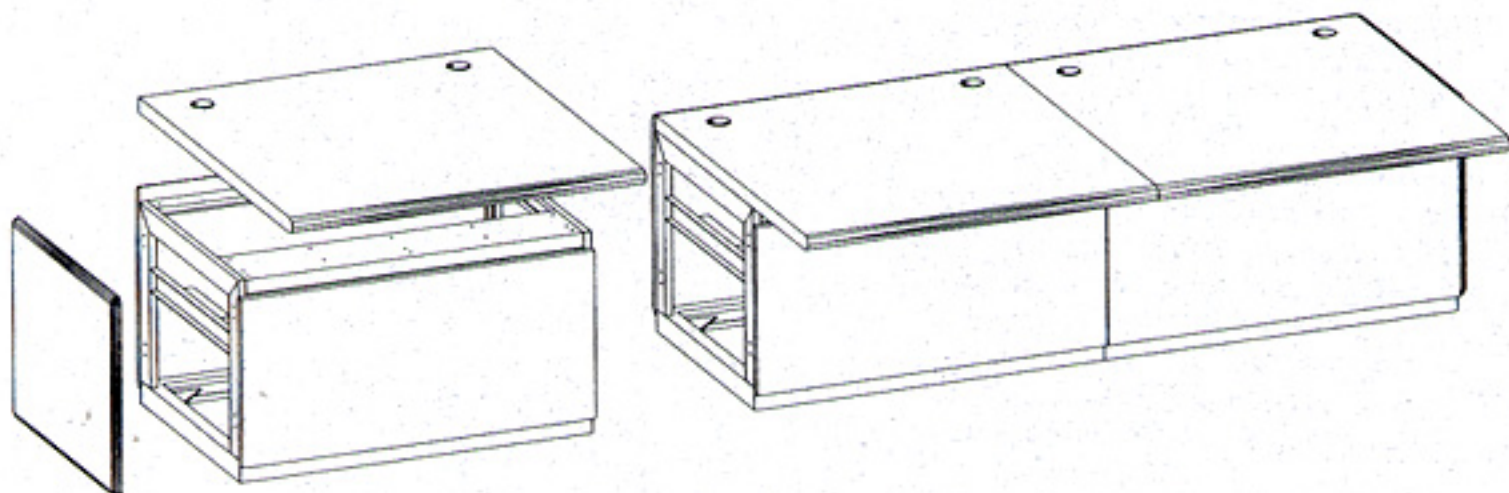




COMPUTER POWER SOLUTIONS
CALL TO ORDER: 800-444-1938



One Stage Access Series



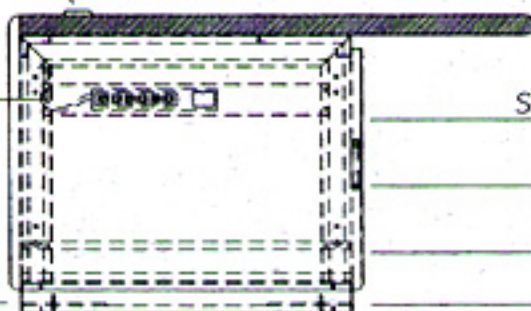
CABLE GROMMIT

FULL RADIUS ACCESS PANELS

FIRST STAGE POWER STRIP

LIFT-OFF ACCESS PANEL

LEVELING PAD IN EACH CORNER



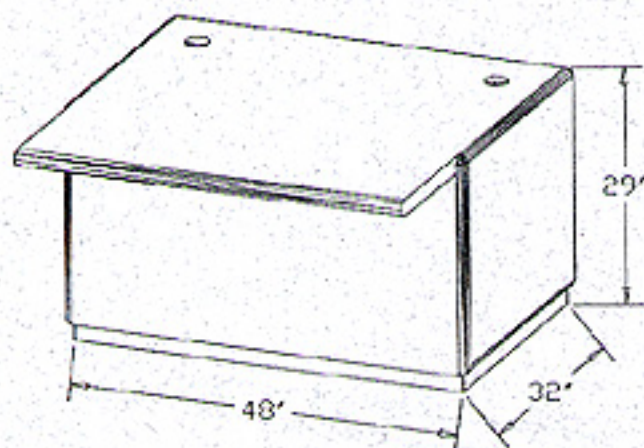
WORK SURFACE SUPPORTS
200 POUNDS PER LINEAR FOOT

STANDARD LIFT-OFF ACCESS PANEL

OPTIONAL HINGED DOORS

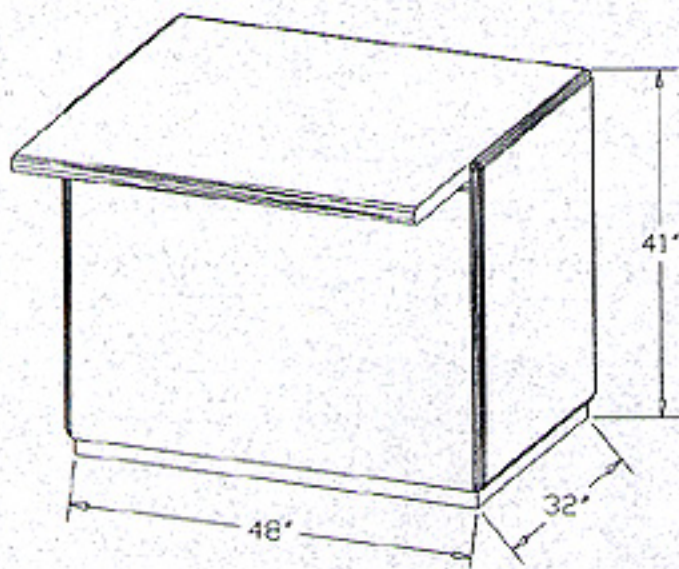
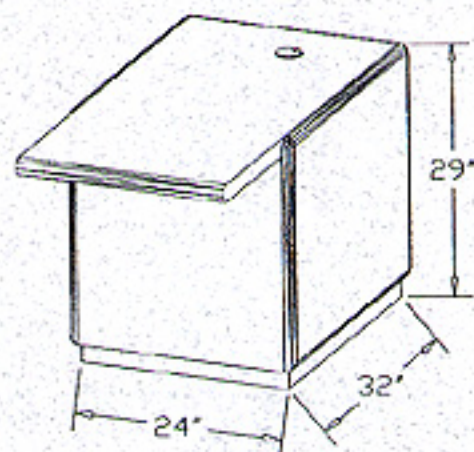
OPTIONAL SLIDE OUT CPU TRAY

11 GAUGE STEEL BASE FRAME



-
- Model:** 48" One Stage Access Series
Model No: DVA-0048
Capacity: (4) CPU's
Features: 48" wide x 50" deep work surface
Lift-off access panels front and rear
One 6 receptacle power strip
Finish: Cover Panels, Dove Gray
Work Surface, Gray Nebula
(Custom colors available)
-

-
- Model:** 24" One Stage Access Series
Model No: DVA-0024
Capacity: (2) CPU's
Features: 24" wide x 50" deep work surface
Lift-off access panels front and rear
One 6 receptacle power strip
Finish: Cover Panels, Dove Gray
Work Surface, Gray Nebula
(Custom colors available)
-



-
- Model:** 48" One Stage Stand Up Console
Also Available In 24" Wide Unit
Model No: DVAT-0048 & DVAT-0024
Capacity: (4) CPU's
Features: 48" wide x 50" deep work surface
Lift-off access panels front and rear
One 6 receptacle power strip
Finish: Cover Panels, Dove Gray
Work Surface, Gray Nebula
(Custom colors available)
-